

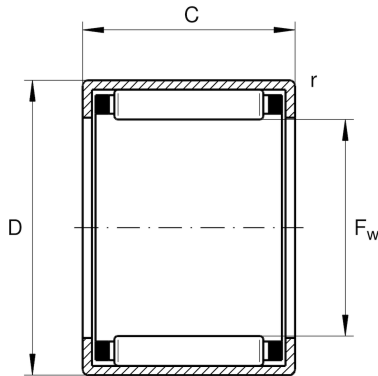
## HK3020-AS1-B

Drawn cup needle roller bearing open end

Schaeffler ID:  
0067550460000

Drawn cup needle roller bearing open end  
HK...AS1-B, single row, with cage

### Technical information



#### Main Dimensions & Performance Data

$F_w$	30 mm	Under roller diameter
$D$	37 mm	Outside diameter
$C$	20 mm	Width
$C_r$	22.000 N	Basic dynamic load rating, radial
$C_{0r}$	39.500 N	Basic static load rating, radial
$C_{ur}$	5.100 N	Fatigue load limit, radial
$n_G$	8.600 1/min	Limiting speed
$n_{G \text{ Grease}}$	5.200 1/min	Limiting speed for grease lubrication
$n_{gr}$	6.300 1/min	Reference speed
	38,975 g	Weight

#### Dimensions

$r_{\min}$	0,8 mm	Minimum chamfer dimension
------------	--------	---------------------------

#### Temperature range

$T_{\min}$	-30 °C	Operating temperature min.
$T_{\max}$	140 °C	Operating temperature max.

#### Additional information

	SD30X37X4	Sealing ring
	G30X37X4	Sealing ring 2
	LR25X30X20,5	Suitable inner rings LR
	IR25X30X20-XL	Suitable inner rings IR